

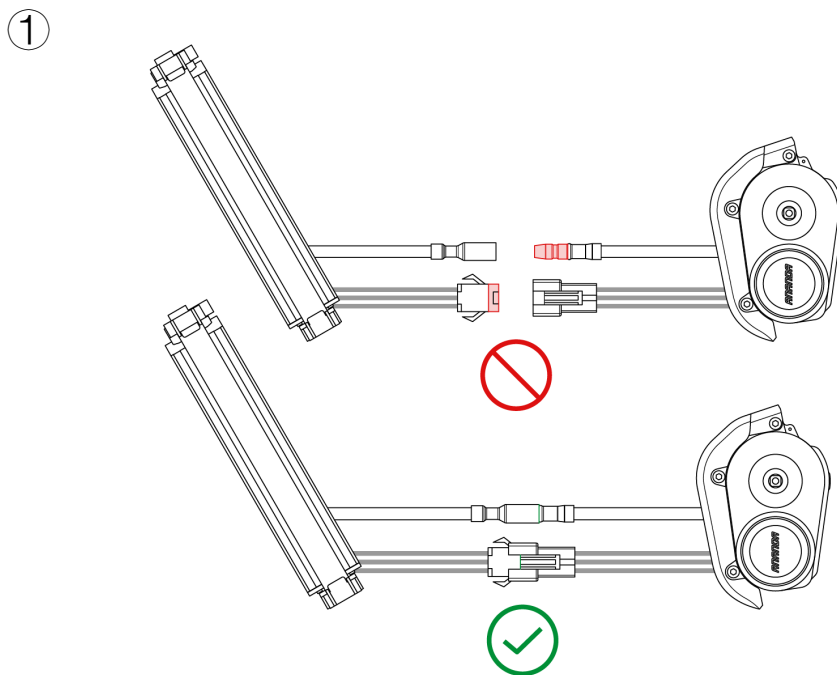


Help Manual

Controller bus voltage test

The content of this information is subject to change without notice

1. Check whether the battery power is too low. Then please charge the battery.
2. Check whether all the connection terminals between the controller and battery are loose and disconnected .



3. Upgrade product parameters with ACT.
4. If the problem is not solved, replace the midmotor.